

2/2 Way; DN 3/8" - 1/2"; 14 up to 102 PSI



Advantages / Benefits

- ▶ Reduction of Cost of Ownership up to 60%
- ▶ Modular system design
- ▶ Block assembly by lock technology
- ▶ Easy change between distributing and collecting function by turn of valve insert
- ▶ Free combination of valve sizes DN 1/4" and DN 1/2"
- ▶ High flexibility with different port connections also with integrated check valve
- ▶ Flexibility with additional functions (integrable sensors, separation of fluids, additional inputs)
- ▶ Low weight by thermo-plastic technology
- ▶ Waterhammer free
- ▶ CE Approval

Design/Function

The servo-assisted solenoid valve with servo diaphragm is normally closed (NC).

In this condition, pressure builds up above the diaphragm

- the valve holds tight.

When energized, the space above the servo diaphragm is pressure relieved and lifted up by the medium

- the valve opens.

The modular extendable valve system can be built up in all possible combinations with up to 12 valves each as distributor or collector in two sizes with different port connection modules. The valve can be put together in collecting function or distributing function by easily twisting the valve insert.

Any combination of functions in one block is possible.

Additional functions such as temperature indication or flow measurement can be added by integrating a corresponding sensor directly into the valve block.

In order to be as flexible as possible, a variety of port connections are available as standard. The inner thread port connections are at the bottom, pointing down while the outer thread port connections and the plug-on connection for hoses are pointing to the side.

The block material is Polyamide glass-fiber reinforced.

The advantages are: Low weight and a certain chemical resistance.

Applications

Fluids

Neutral liquids, i.e. water, hydraulic oil, oils and fat (without additions) up to 140°F

Applications

- Distributing and collecting functions in water / sewage treatment
- H/VAC
- Hydraulic circuits
- Car wash devices
- Chemical industry
- Machine industry

Burkert Contromatic USA
 2602 McGaw Avenue
 Irvine, CA 92614
 Tel. 949.223.3100
 Fax 949.223.3198
 www.burkert-usa.com

Burkert Contromatic Inc.
 760 Pacific Road, Unit 3
 Oakville, Ontario, Canada
 L6L 6M5
 Tel. 905.847.5566
 Fax 905.847.9006

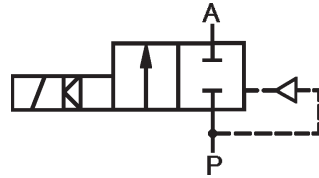
burkert
 Fluid Control Systems

Technical Data Type 6227

Circuit Function

A 2/2 way flow valve, normally closed, with 2 way pilot control and coupled solenoid system

Symbol



Valve Specifications

| | | |
|---------------------------------|--|-----------|
| Pressure range | Collector 14 up to 100 PSI Distributor 7 up to 100 PSI | |
| Port connection | Block NPT 1/2" and NPT 3/4" | |
| Valve | NPT 3/8" inner-thread NPT 3/4" outer-thread Plug-on ø 13mm tube | |
| Seal material | NBR (FKM / EPDM on request) | |
| Fluids | Neutral liquids, e.g. water, hydraulic oil, oils and fat without additives | |
| Media temperature | 0 up to 158°F | |
| Ambient temperature | max. 131°F | |
| Viscosity | max. 21 mm ² /s | |
| Response times ^{3) 4)} | DN10 | DN13 |
| Opening | 30 ms | 70 ms |
| Closing | 200 ms | 300 ms |
| Flow rate | C _v -value (m ³ /h) | |
| | Distributor | Collector |
| DN10 | 1.65 | 1.75 |
| DN13 | 2.82 | 3.18 |
| Installation | as required, preferably with solenoid system upright | |
| Width per valve | DN10 | 3/4" |
| | DN13 | 1/2" |

Solenoid Specifications

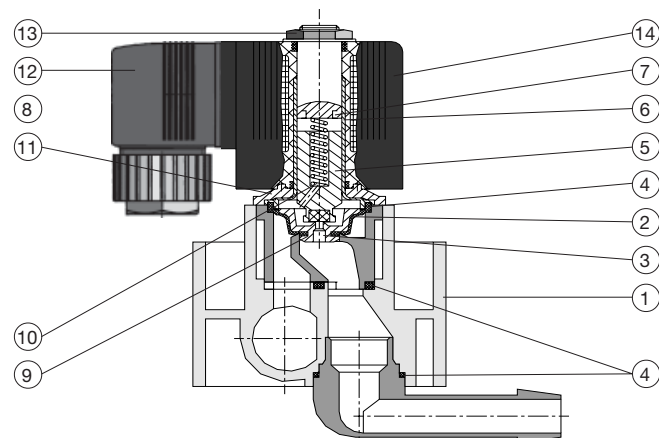
| | | |
|---------------------------|--|-------------|
| Operating voltages | AC 24, 110, 230 V / 50 Hz DC 12 and 24 V / = | |
| Voltage tolerance | ±10% | |
| Electr. power consumption | | |
| Voltage (AC) | Inrush | 20 VA |
| | Hold | 13 VA / 5 W |
| Voltage (DC) | Inrush | 5 W |
| | Hold | 5 W |
| Duty cycle | 100 % continuously rated | |
| Cycling rate | up to 60 c.p.m. | |
| Rating with cable plug | NEMA 4 (IP 65) | |
| Electr. connection | Delivery standard: Cable plug acc. DIN 43 650 A, 0 - 250 V (other versions see accessories) | |

³⁾ Measured at connection 2; time from electrical switching to pressure increase to 90 % (opening) or pressure drop to 10 % (closing) of operational pressure of 87 PSI.

The valves given apply for DC and AC.

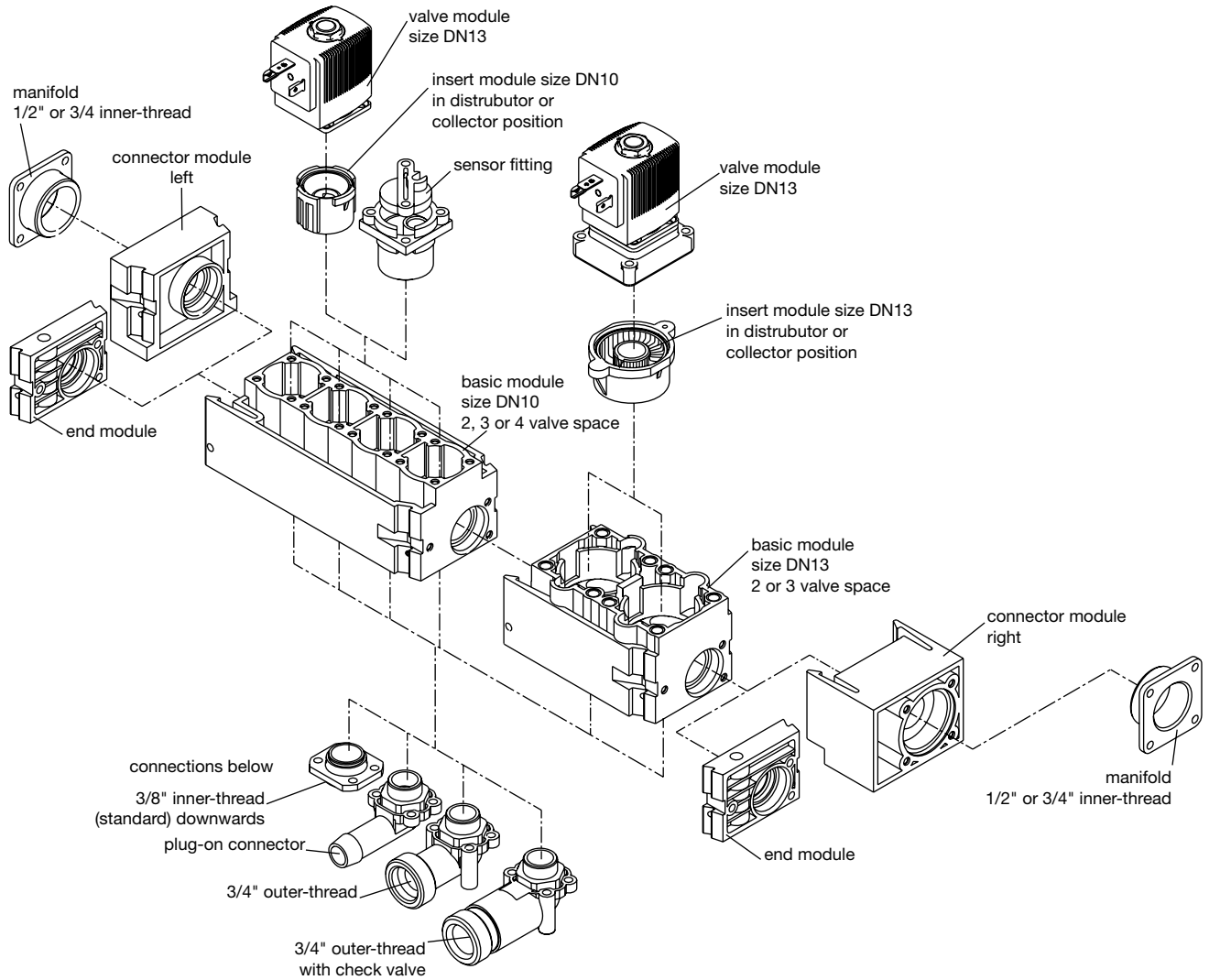
⁴⁾ When using electronics (diodes for controlling LEDs or for rectifying), the closing time is delayed 8 up to 10 ms.

Installation



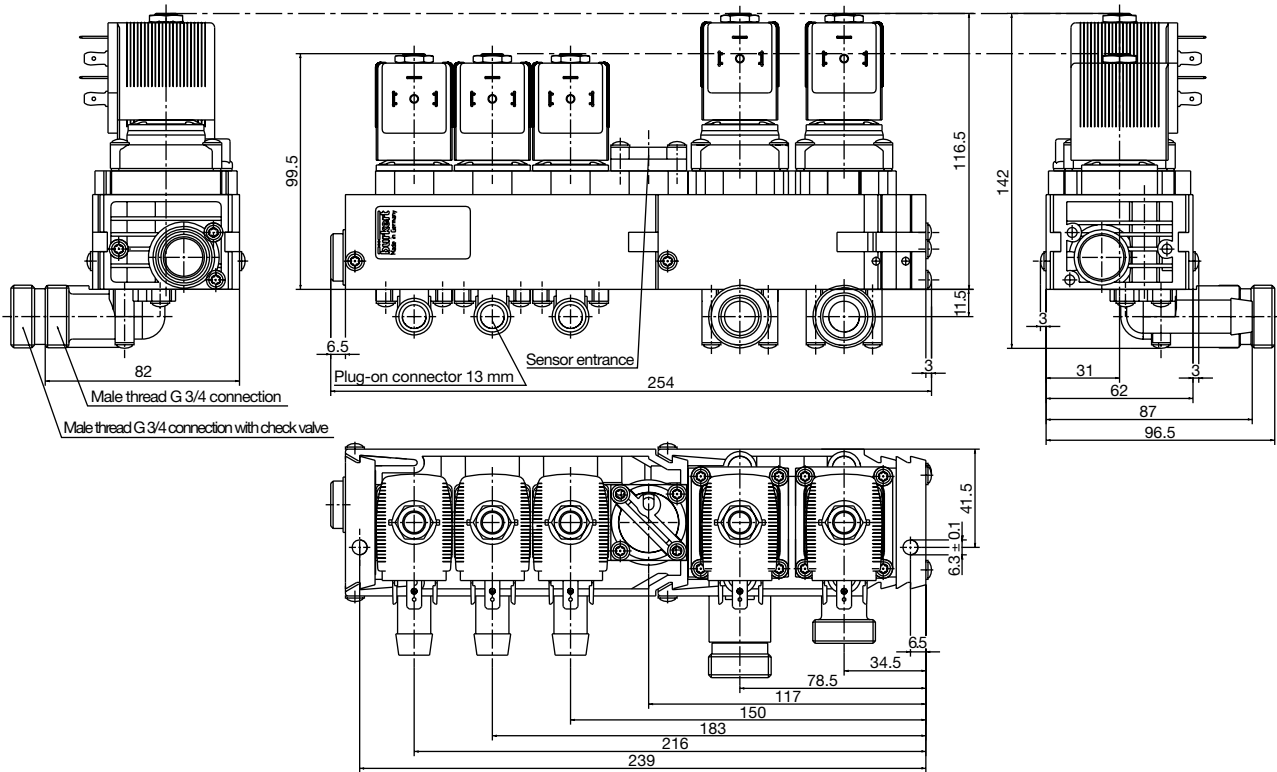
| | | |
|----|---------------------|---------------------------------|
| 1 | Valve body | Polyamid glass fiber reinforced |
| 2 | Diaphragm | NBR |
| 3 | Plunger-seal | NBR |
| 4 | O-rings | NBR |
| 5 | Plunger | 430 Stainless Steel |
| 6 | Armature guide tube | 304 Stainless Steel |
| 7 | Shading ring | Cu (copper) |
| 8 | Stopper | 430 Stainless Steel |
| 9 | Diaphragm support | PPSGF40 |
| 10 | Spring | 301 Stainless Steel |
| 11 | Bonnet | Steel ST3 |
| 12 | Cable plug | PA (Polyamide) |
| 13 | Locknut | 9SMnPb28K (surface Zn5glcA) |
| 14 | Coil | Polyamid |

System Overview with All Available Modules

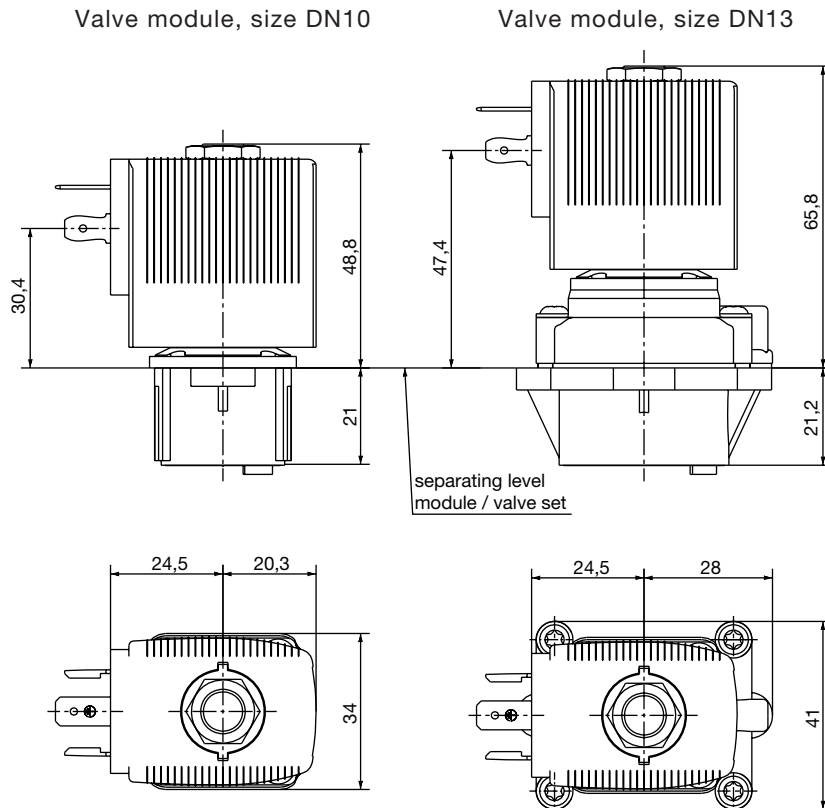


DTS 1000082572 EN Version: - Status: RL (released | freigegeben | validé) printed: 20.01.2015

Dimensions on a Block Sample [mm] (without Cable Plug Type 2508)

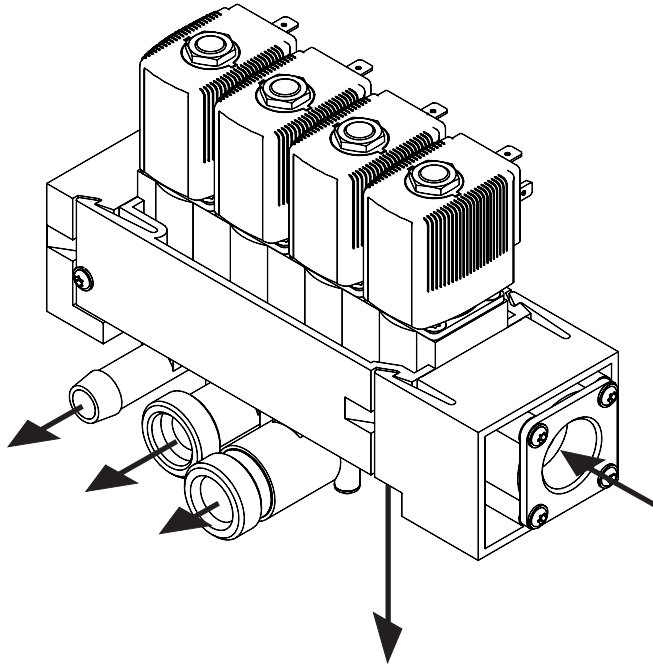


Dimensions of Valve Modules [mm] (without Cable Plug Type 2508)

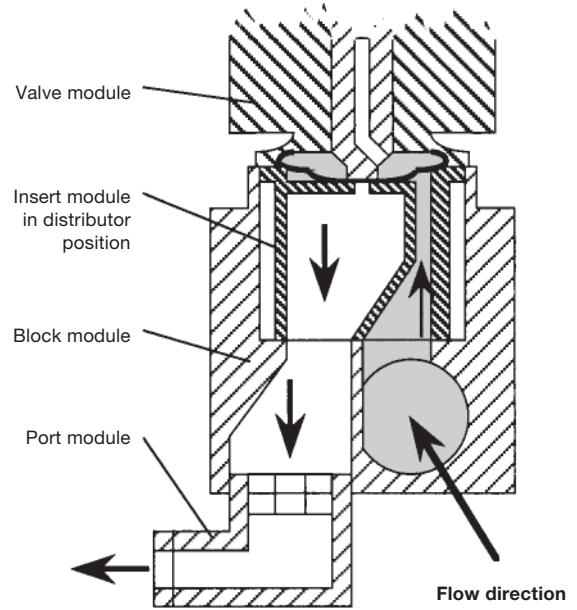


Operating Modes

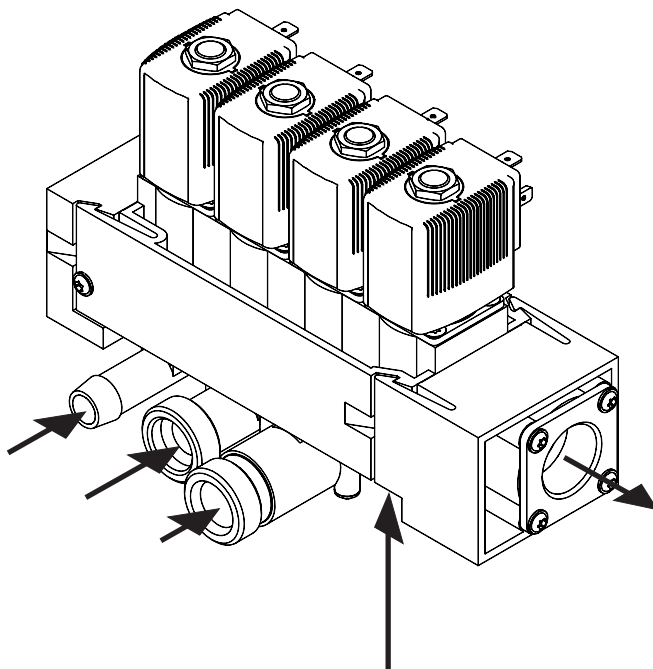
Distributor mode:



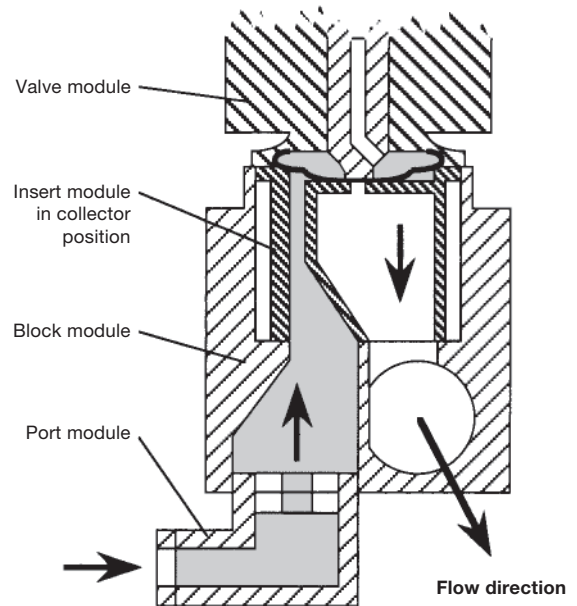
Distributor mode (scheme):



Collector mode:



Collector mode (scheme):



DTS 1000082572 EN Version: - Status: RL (released | freigegeben | validé) printed: 20.01.2015

Select modules according specific application from right to left:

| | |
|---|------------|
| Mark: Voltage, Cable Plug, Block Modules, End Modules Left & Right, Port Modules | ▶ X |
| Mark: Valve as C ollector Function | ▶ C |
| Mark: Valve as D istributor Function | ▶ D |
| Mark: S ensor Insert with (only block modules DN10 possible) | ▶ S |
| Mark: B lind plate | ▶ B |

| | | |
|------------------------------|---|-------|
| Configuration number: | ▶ | |
| Quantity: | ▶ | |

Voltage:

| | |
|-------------|--|
| 12 V/DC | |
| 24 V/DC | |
| 24 V/60 Hz | |
| 120 V/60 Hz | |
| 240 V/60 Hz | |

Cable plug:

| | |
|--------------------------|--|
| Standard | |
| with LED | |
| with LED and varistor | |

End modules left:

| | | |
|-----------|---------|---------|
| Terminate | NPT 3/4 | NPT 1/2 |
| | | |

Block modules with valve modules

DN 10 - 2 valve space modules

| | | | | | | | | | | | |
|--|--|--|--|--|--|--|--|--|--|--|--|
| | | | | | | | | | | | |
| | | | | | | | | | | | |

End modules right:

| | | |
|---------|---------|-----------|
| NPT 1/2 | NPT 3/4 | Terminate |
| | | |

DN 13 - 2 valve space modules

| | | | | | | | | | | | |
|--|--|--|--|--|--|--|--|--|--|--|--|
| | | | | | | | | | | | |
| | | | | | | | | | | | |

DN 10 - 3 valve space modules

| | | | | | | | | | | | |
|--|--|--|--|--|--|--|--|--|--|--|--|
| | | | | | | | | | | | |
| | | | | | | | | | | | |

DN 13 - 3 valve space modules

| | | | | | | | | | | | |
|--|--|--|--|--|--|--|--|--|--|--|--|
| | | | | | | | | | | | |
| | | | | | | | | | | | |

DN 10 - 4 valve space modules

| | | | | | | | | | | | |
|--|--|--|--|--|--|--|--|--|--|--|--|
| | | | | | | | | | | | |
| | | | | | | | | | | | |

Port modules

| | | | | | | | | | | | |
|--|--|--|--|--|--|--|--|--|--|--|--|
| Plug-on connection 13 mm tube | | | | | | | | | | | |
| External thread NPT 3/4 | | | | | | | | | | | |
| External thread NPT 3/4 with check valve | | | | | | | | | | | |
| Internal threaded port NPT 3/8 | | | | | | | | | | | |

(with configuration left)

DTS 1000082572 EN Version: - Status: RL (released | freigegeben | validé) printed: 20.01.2015

Customer Data

Name of company: _____

Department: _____

Street / No.: _____

City: _____

Postal code: _____

Country: _____

Name of contact person:

Name: _____ First name: _____

Telephone number: _____

Fax number: _____ e-mail: _____

Signature: _____

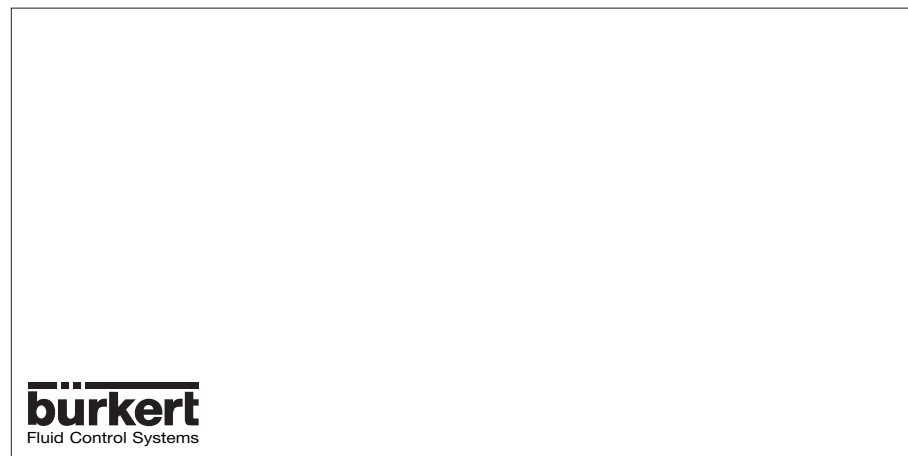


Easy to order

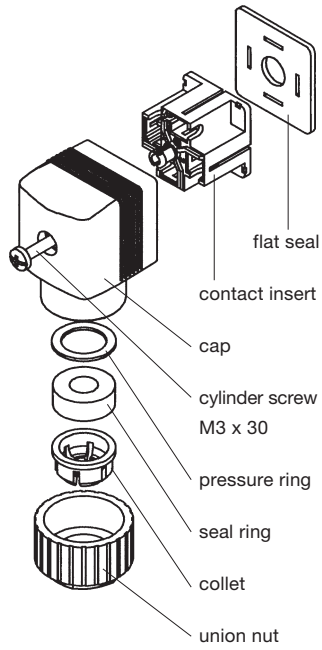
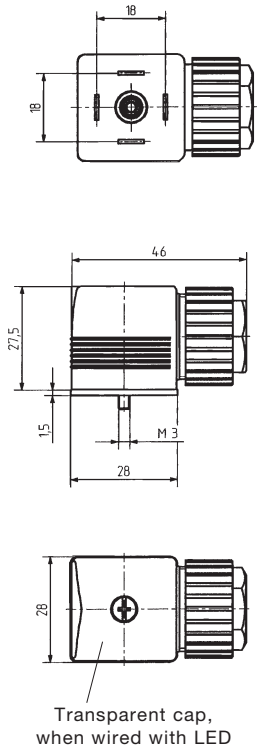
Thank you very much for filling in our fax order form.

Please send part 1 and 2 of this order to Burkert by fax.

If you have any questions concerning this matter,
please do not hesitate to contact us.



Dimensions Accessories [mm]



Ordering Chart Accessories

| Device / Accessory | Features | Item-No. |
|--|--|-----------|
| Cable plugs ¹⁾ Type 2508 | Standard cable plug, 0 – 250 V AC/DC (standard-delivery) ¹⁾ | 008 376 N |
| | with LED, 12 – 24 V AC/DC | 008 360 S |
| | with LED, 100 – 120 V AC/DC | 008 361 P |
| | with LED and varistor, 12 – 24 V AC/DC | 008 367 M |
| | with LED and varistor, 100 – 120 V AC/DC | 008 368 W |
| | with LED and varistor, 200 – 240 V AC/DC | 008 369 X |
| | (optional wirings and connection specifications see datasheet Type 2508) | |

¹⁾The standard cable plug (0 – 250 V AC/DC), Item-No. 008 376 N is part of the standard delivery.
 Ordering of optional cable plugs with separate item number.

A wide selection of further cable plugs is available.
 (see special datasheet Type 2508)

DTS 1000082572 EN Version: - Status: RL (released | freigegeben | validé) printed: 20.01.2015